

NEW PRODUCT RELEASE

LWL300 SERIES LED WORKLAMPS

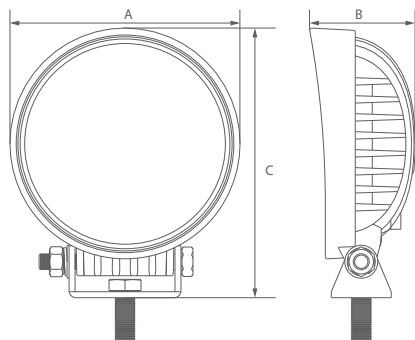
LWL300-18



LWL300-27



LWL300-39



Wiring Instruction



Description

Introducing our all new LWL300 Series round work lights, available in 18W, 27W & 39Watt. Featuring 10-30V Varivolt® technology, IP67 environmental protection, Diecast Aluminum housing and stainless steel mounting brackets, these new LED work lights are built and designed for heavy duty use. With an ultra wide 60 degree solid fill flood beam our newest LED work lights are extremely efficient for the amount of dissipated light. Ideal for service vehicles, heavy equipment or any application where heavy duty high efficiency scene lighting is required.

Features & Benefits

- Emarked / ECC R10 (EMI Compliant)
- Stainless Steel Brackets
- Diecast Aluminum housing w/ Polycarbonate lens
- Wide Flood beam illumination
- 60° Luminous Intensity
- Fully sealed weather proof IP67

Specifications

Functions	Worklights
Voltage	10 - 30V
Power / Lumen	18W (1620lm) / 27W (1890lm) / 39W (2730lm)
Mount	Stainless steel adjustable bracket
Material	Polycarbonate
Environmental Protection	IP67

Applications

- Trucks • Work / Emergency Vehicles • Trailers • Custom Builds

Compliance

E-Mark: EMC R10

Parts List

LWL300-18	18W LED WORKLAMP 10-30V / ECE R10
LWL300-27	27W LED WORKLAMP 10-30V / ECE R10
LWL300-39	39W LED WORKLAMP 10-30V / ECE R10

LAMP DIMENSIONS (mm)

PART NO.	A	B	C
LWL300-18	110	55	135
LWL300-27	110	65	135
LWL300-39	120	75	138