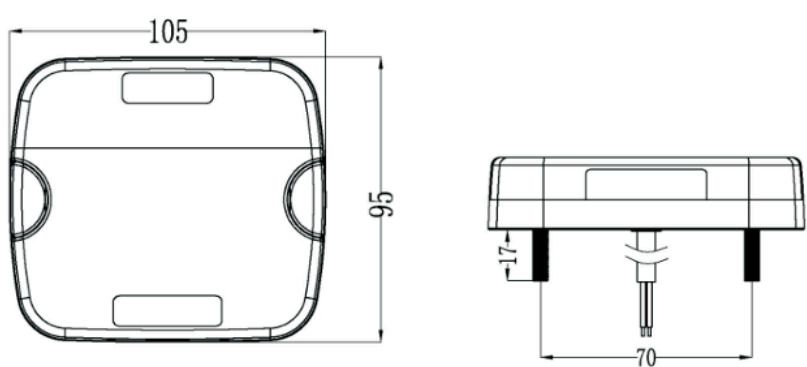


INSTALLATION INSTRUCTIONS FOR REAR COMBINATION LAMPS

MODELS:	CRL10VLEDRH (With Licence Plate) CRL10LEDVLH (Standard)
ADR FUNCTIONS:	
ADR 13/00 REQUIREMENTS FOR INSTALLATION:	
MOUNT LAMP AS FOLLOWS:	
LAMP DIMENSIONS / MOUNTING OPTIONS:	
 <p>The image contains two technical drawings of the rear combination lamp. The left drawing is a top-down view of the lamp, showing its rectangular shape with rounded corners. It has a width dimension of 105 and a height dimension of 95. The lamp features two horizontal light bars, one near the top and one near the bottom. The right drawing is a side view of the lamp, showing its profile. It has a width dimension of 70 and a mounting bracket height dimension of 17. The lamp is shown mounted on a surface with two mounting brackets.</p>	