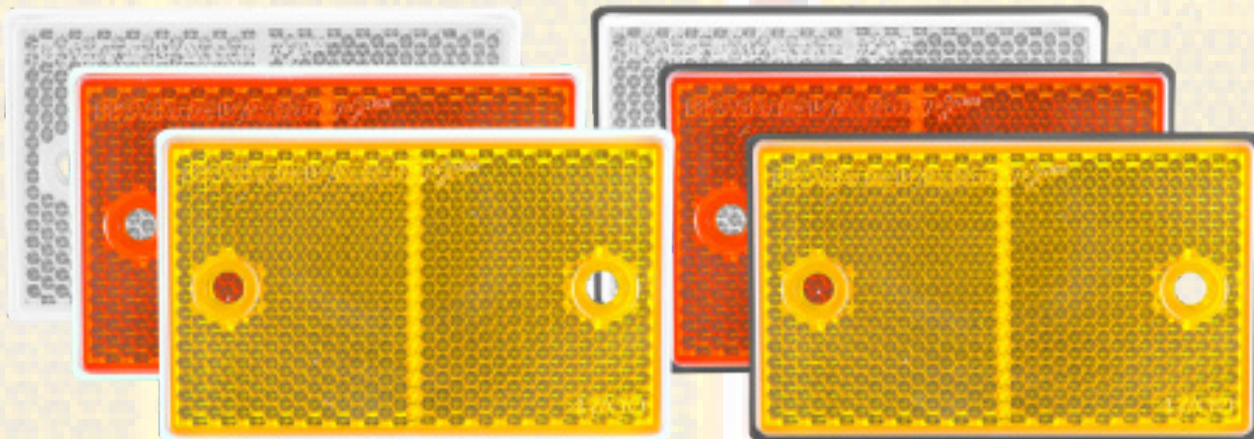


## PRODUCT DATA SHEET WR6 REFLECTOR SERIES



### Features:

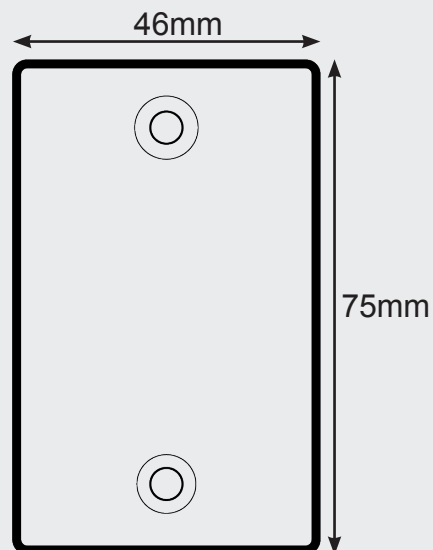
- High grade optic prisms
- Ultrasonic welded base
- High impact lens
- Screw mount base
- Fully ADR compliant

### Description:

WR6 Series reflex reflectors are constructed from high quality optic prisms resulting in a highly reflective lens for maximum compliance and safety. The WR6 series is a midsize reflex reflector with increased reflective surface area ensuring compliance of front, side and rear applications to medium sized vehicles and trailers. These units feature a high impact PMMA lens and ultrasonically welded base with integral screw mounts for easy and secure fitting and flush finish. Self adhesive option with screw mounting is also available.

### Specifications:

Lens:	High impact PMMA
Housing:	ABS
Mounting:	Screw mount / Screw mount with self adhesive
Environmental:	Fully Sealed
CTA:	
WR6	CTA-060455



### Parts List

Loose		2PCS Blister	
WR6AB	Amber Reflector Black Base	WR6AB-B	Amber Reflector Black Base
WR6CB	Clear Reflector Black Base	WR6CB-B	Clear Reflector Black Base
WR6RB	Red Reflector Black Base	WR6RB-B	Red Reflector Black Base
WR6AW	Amber Reflector Welded White	WR6AW-B	Amber Reflector Welded White
WR6CW	Clear Reflector Welded White	WR6CW-B	Clear Reflector Welded White
WR6RW	Red Reflector Welded White	WR6RW-B	Red Reflector Welded White
WR6ASA	Amber Reflector Welded White Stick-On	WR6ASA-B	Amber Reflector Welded White Stick-On
WR6CSA	Clear Reflector Welded White Stick-On	WR6CSA-B	Clear Reflector Welded White Stick-On
WR6RSA	Red Reflector Welded White Stick-On	WR6RSA-B	Red Reflector Welded White Stick-On