

PRODUCT DATA SHEET CRL260 COMBINATION AND SINGLE SLIMLINE SERIES



Features:

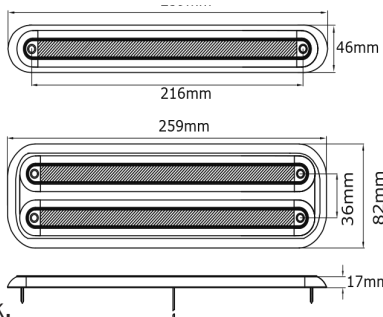
- Slim line design - multifunctions
- 10 - 30 Varivolt
- Surface mounting
- Available in Black or Chrome Base
- Fully ADR compliant

Description:

Designed with a smart and modern slimline look, the 260 Series is a robust multifunction lamps that can be mounted in areas where space is limited.

Featured 10 - 33 Varivolt® DC integrated circuitry technology, incorporating stop, tail, indicator and reverse functions providing an all in one rear signal solution.

The Series is fully ADR compliant, making it the complete package, perfectly suited to OEM and commercial vehicle applications.



Specifications:

Voltage:	10-33V
Power:	Stop: 3W Tail: 0.5W Indicator: 2.5W Reverse: 2.5W
Lens:	Polycarbonate
Mounting:	Surface mount, screw on
Environmental:	IP67
CTA:	
RL260DLEDB	CTA-060797
RL260SLEDB	CTA-060794
RL260RLEDB	CTA-060796
RL260SDLEDB	CTA-060793
CRL260LEDB	CTA-060798
CRL260RLEDB	CTA-060828

Parts List

RL260DLEDB	Single Indicator
RL260SLEDB	Single Stop / Tail
RL260RLEDB	Single Reverse
RL260SDLEDB	Single Stop / Tail / Indicator
CRL260LEDB	Combination Stop / Tail / Indicator
CRL260RLEDB	Combination Stop / Tail / Indicator / Reverse