

PRODUCT DATA SHEET HEADLIGHT ACCESSORIES



LHL180MRB



LHL-H412NSC

Features:

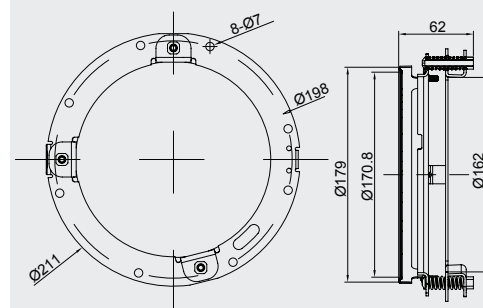
- Applicable on both LHL180 & 181 Series lamps
- Retrofittable
- Easy installation

Description:

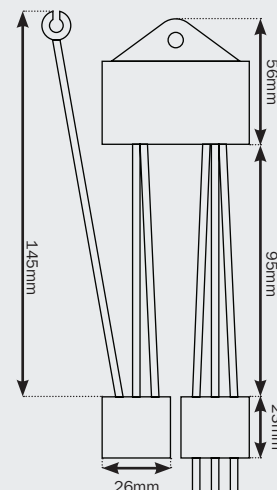
To compliment the LHL181C 7" Rayzer LED Headlight Whitevision offers additional parts that assist in providing a total forward lighting solution. The LHL180MRB 7" Mounting ring especially designed for LED headlights provides a secure installation option in either OE or retrofit applications. Completely powder coated for durability and longevity, the 7" mounting ring includes standard fitting mounting holes and features spring tensioned adjustment screws making it an ideal solution for mounting 7" LED headlights.

For applications that use negative headlight switching, Whitevision's LHL-H412NSC H4 Negative headlight converter relay kit ensures the LHL181C 7" Rayzer headlight can be easily installed. The converter relay kit features a H4 connectors that are easily installed into the vehicle harness and headlight. The unit seamlessly converts negative to positive switching allowing for fast no fuss installation in negative headlight switching applications.

LHL180MRB



LHL-H412NSC



Parts List

LHL181C	7" LED High/Low Beam Headlight W/ Front Position
LHL180MRB	Black Powdered Coat Mounting Ring for LHL180/ LHL181C
LHL-H412NSC	H4 Negative Switching Converter Relay Kit LED Headlights