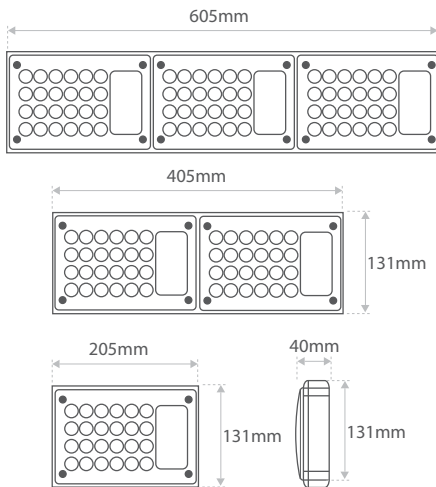


NEW PRODUCT RELEASE

CRL605 SERIES - LED COMBINATION LAMP



WIRING CODE	
Wire Colour	Circuit Connection
White	Earth
Red	Stop
Brown	Tail
Yellow	Indicator
Black	Reverse

Description

The all new CRL605LED Series Jumbo LED lamps deliver quality, performance and durability for heavy duty applications. Featuring high visibility optics and modular design, the CRL605LED series can be customised to suit stop / rear position / direction indicator and reverse functions as required. Each module also incorporates an integrated reflector providing a complete compliant rear signalling solution. Constructed with ultra strong polycarbonate lenses with enhanced chemical protection, high reliability optics and toughened ABS base the CRL605LED series is designed to handle the toughest of conditions under constant operation. Suited to OEM and commercial vehicle applications.

Features & Benefits

- Heavy duty rear Jumbo lamp
- Modular design
- Integrated reflectors
- Slimline profile
- Fully ADR compliant

Specifications

Functions	Stop / Rear Position / Direction Indicator / Reverse / Reflector
Voltage	9-33V DC Varivolt®
Wattage	Stop:3W, Rear Position:0.4W, Indicator:3W Reverse:2.5W
Mounting	Modular heavy duty ABS base
Lens Material	Polycarbonate
Environmental Protection	IP67
Cable Length	0.5M

Applications

- Trucks • Rigid Bodies • Buses & Coaches • Trailers • Custom Builds

Compliance

ADR Compliant Functions	Stop & Rear Position:49/00, Rear Direction Indicator:6/00:Cat2a, Reverse:1/00, Rear Retro Reflector:47/00
-------------------------	---

Parts List

CRL605LED	605 Series Combination LED H/Duty 9-33V Stop / Tail / Indicator / Reflector Triple Base 0.5M
CRL605RLED	605 Series Combination LED H/Duty 9-33V Stop / Tail / Indicator / Reverse / Reflector Triple Base 0.5M
CRL405LED	405 Series Combination LED H/Duty 9-33V Stop / Tail / Indicator / Reflector Twin Base 0.5M