

PRODUCT DATA SHEET CRL360 COMBINATION SERIES

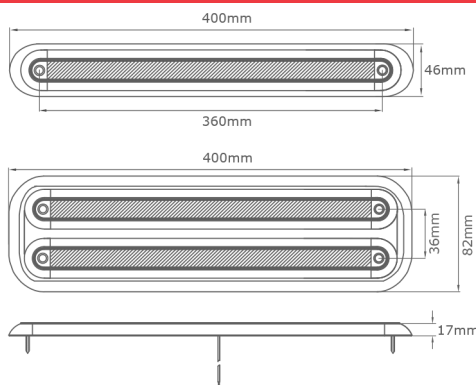


Features:

- Slimline design - multifunctions
- 10 - 30 Varivolt
- Surface mounting
- Available in Black or Chrome Base
- Fully ADR compliant

Description:

Designed with a smart and modern slimline look, the 360 Series are a robust multifunction lamps that can be mounted in areas where space is limited. Featured 10 - 33 Varivolt® DC integrated circuitry technology, incorporating stop, tail, indicator and reverse functions providing an all in one rear signal solution. The Series is fully ADR compliant, making it the complete package, perfectly suited to OEM and commercial vehicle applications.



Specifications:

Voltage:	10-30 V
Power:	Stop: 3W Tail: 0.3W Indicator: 1.5W Reverse: 1.5W
Housing:	Polycarbonate
Mounting:	Surface mount, screw on
Environmental:	IP67
CTA:	
RL360DLED	CTA-060899
RL360SLED	CTA-060898
RL360RLEDB	CTA-060895
RL360SDLEDB	CTA-060894
CRL360LEDB	CTA-060893
CRL360RLEDB	CTA-060896

Parts List

Black Base		Chrome Base	
RL360DLEDB	Indicator	RL360DLEDC	Indicator
RL360SLEDB	Stop / Tail	RL360SLEDC	Stop / Tail
RL360RLEDB	Reverse	RL360RLEDC	Reverse
RL360SDLEDB	Stop / Tail / DI	RL360SDLEDC	Stop / Tail / DI
CRL360LEDB	Combo Stop/Tail/DI	CRL360LEDC	Combo Stop/Tail/DI
CRL360RLEDB	Combo Stop/Tail/DI/Rev	CRL360RLEDC	Combo Stop/Tail/DI/Rev