

PRODUCT DATA SHEET BE325 LED BEACON



Features:

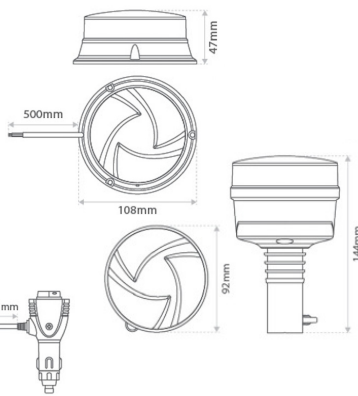
- 10-30V Varivolt®
- Class 1 high specification light output / CISPR 25
- IP67 Ultrasonically sealed lens and base
- 7 Programable flash modes / 4 rotation modes / 3 flashing modes
- Available in Stud, Pole or Magnetic mount
- Portable lithium battery power model option with remote control & USB charging cable

Description:

The BE325 LED Beacon series is an ultra high-quality range featuring Class 1 level light output for total compliance in transport or site applications. The ultrasonically sealed IP67 lens and body design ensures total protection from water or fine dust. Built for heavy-duty applications, the BE325 series is available in various mounting options as well as a lithium self-powered portable option.

Parts List

BE325A-ST	Stud Mount (108x47mm)
BE325A-MG	Magnetic Mount (108x54mm)
BE325A-PL	DIN Pole Mount (92x144mm)
BE325A-PO	Portable / Magnetic (130x75mm)
BE325-PO-USBC	USB Charging Cable for BE325APO



Specifications:

Voltage:	10-30V Varivolt®
Power:	ST/MG/PL: 19W PO: 8.4W
Environmental:	IP67 Fully Sealed
Charging Time (PO):	4 hrs
Discharge Time (PO):	6.5 hrs
Mounting:	ST: Stud MG: Magnetic PL: Pole PO: Portable
Certification:	ECE R65/EMC R10 SAE J845 class 1 CISPR 25 class 3
Rotation Modes:	Slow anti-clockwise rotation (480ms) Slow clockwise rotation (480ms) Quick anti-clockwise rotation (300ms) Quick clockwise rotation (300ms)
Flashing Modes	Single flash Double flash Triple flash